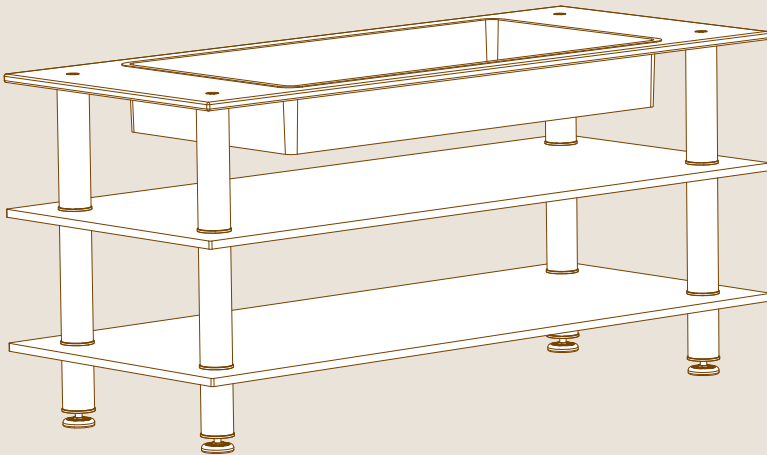


Modular

SYSTEM

SALAD BAR

ASSEMBLY INSTRUCTIONS



PARTS

X1



ALLEN KEY FOR M16

X4




M16 ALLEN SCREWS

X4




SCREW CAPS

X1



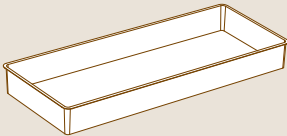
SALAD - BAR TOP L71" W29.5" | L180cm W75cm

X2




LARGE RECTANGLE TOPS L71" W29.5" | L180cm W75cm

X1




ICE COOLER

X8



12" | 30cm SEGMENTS

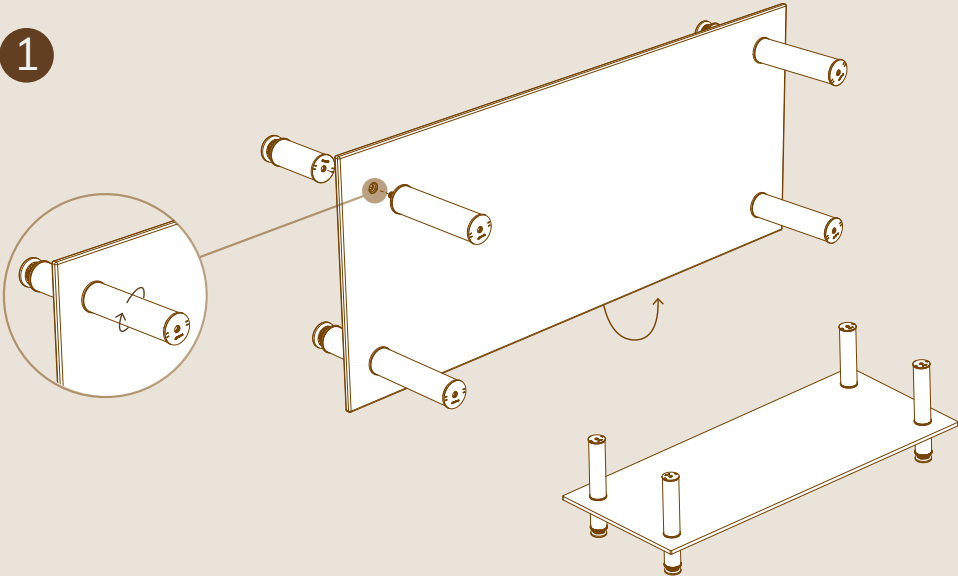
X4



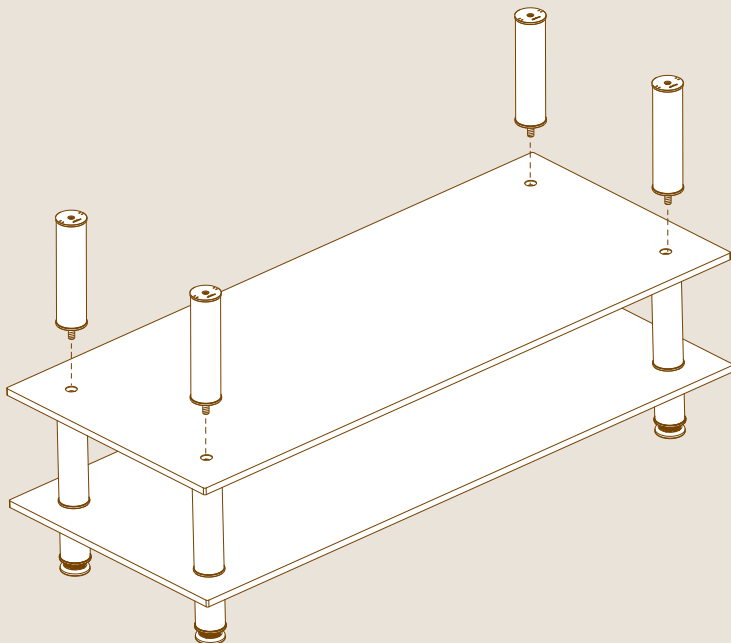
ADJUSTABLE LEGS

ASSEMBLY

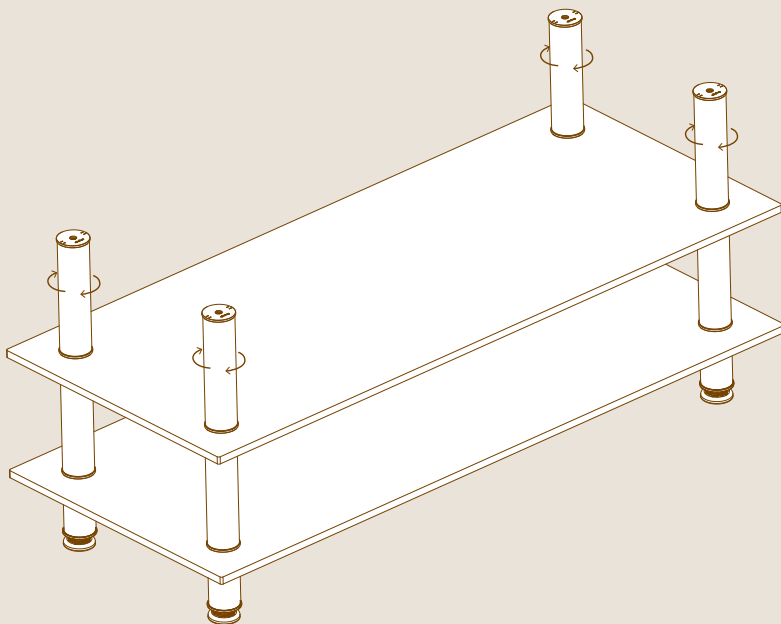
1



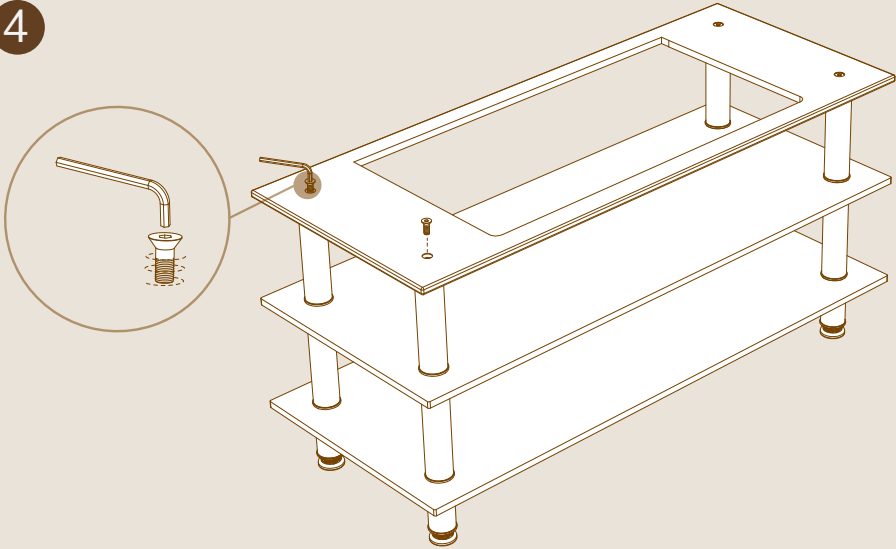
2



3

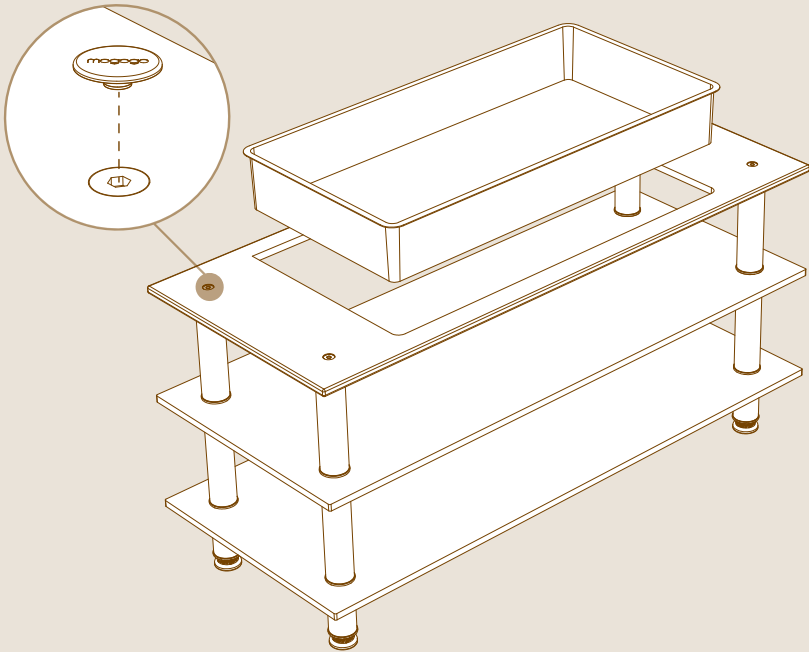


4



5

* Optional Quick-Covers are recommended.



MISSION ACCOMPLISHED, WAY TO GO!