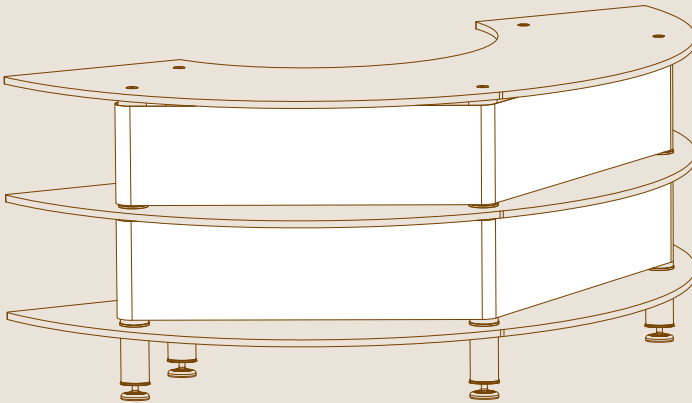


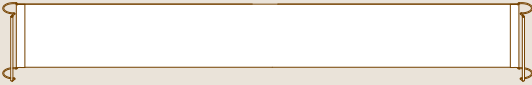
Modular
SYSTEM

QUICK COVER
FOR CREATIVE CURVED UNIT
ASSEMBLY INSTRUCTIONS



PARTS

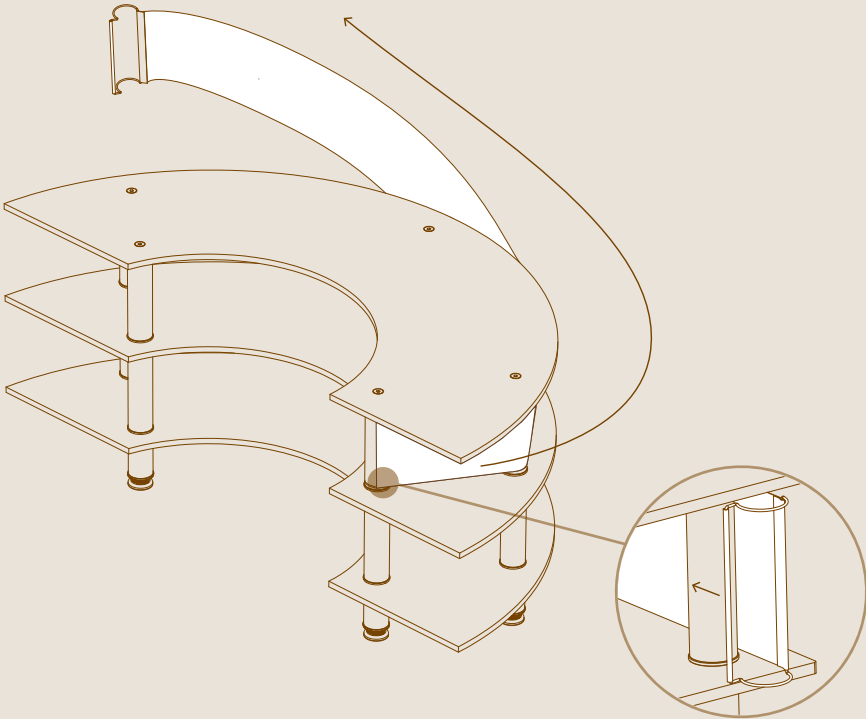
x2



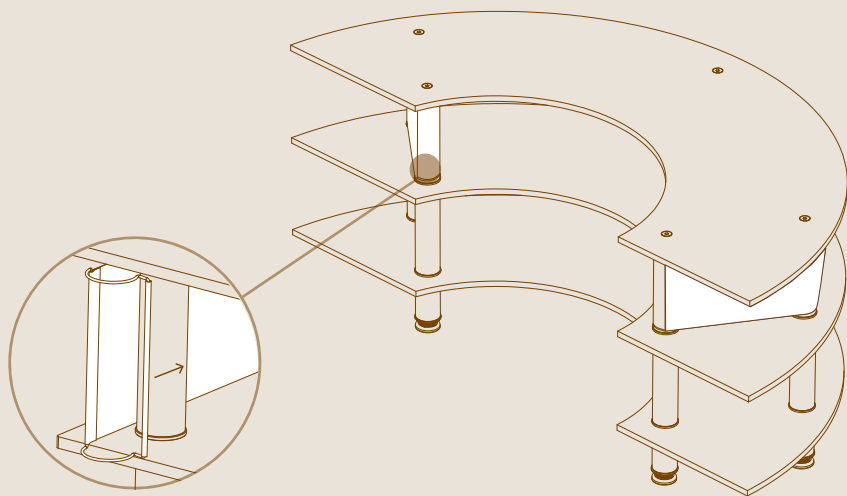
QUICK COVERS FOR CREATIVE CURVED UNIT L112" W11" | L284cm W29cm

ASSEMBLY

1

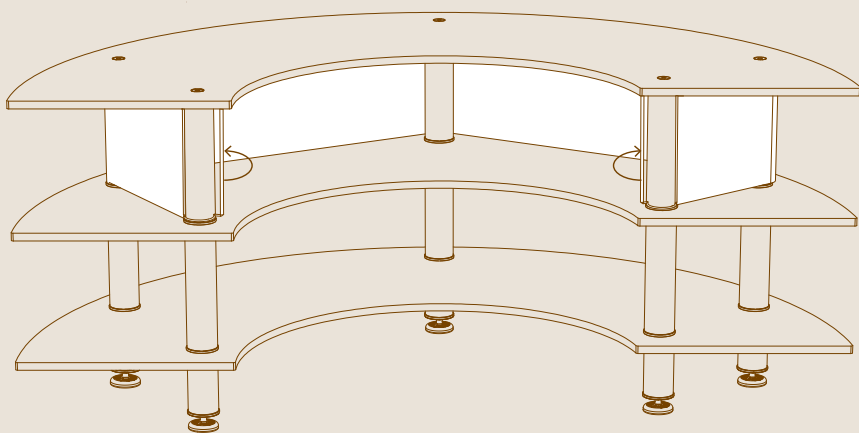


2

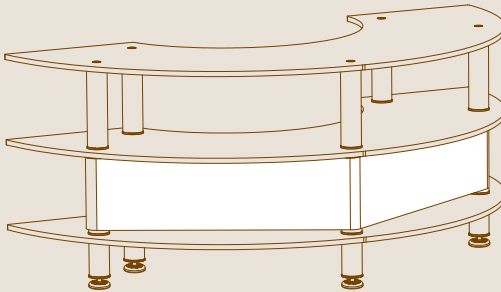
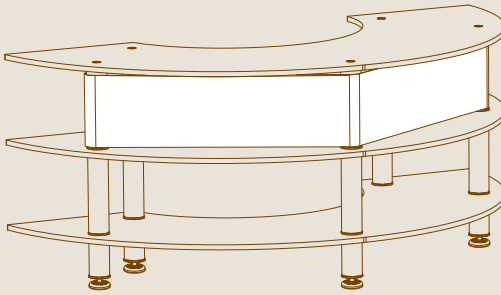
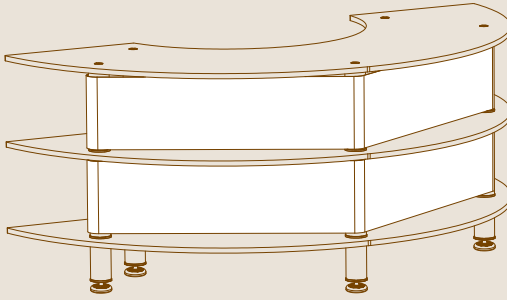


3

Evenly tighten the quick-cover using the bars on both sides.



DESIGN PROPOSALS



YOUR ALL DONE, WAY TO GO!