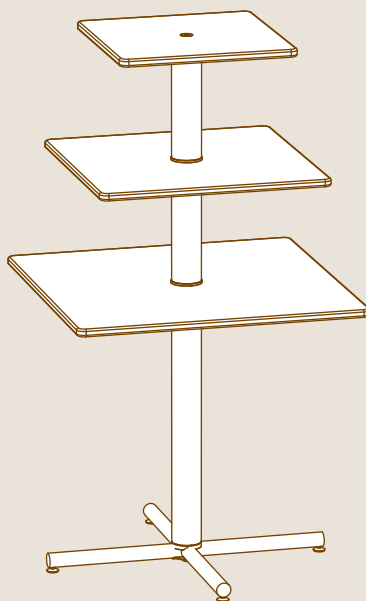
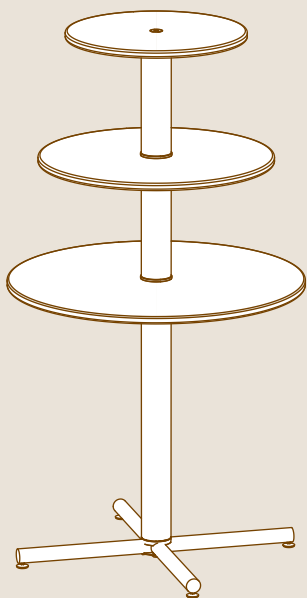


POLO
TABLES

DISPLAY TABLES
ASSEMBLY INSTRUCTIONS



PARTS

X1

ALLEN KEY FOR M16

X1

M16 ALLEN SCREW

X1

SCREW CAP

X1

30" ROUND TOP Ø30" | Ø76cm


X1


24" ROUND TOP Ø24" | Ø60cm


X1


18" ROUND TOP Ø18" | Ø46cm

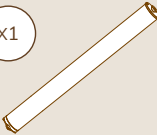
OR


X1

30" SQUARE TOP 30" | 76cm

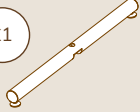
X1

24" SQUARE TOP 24" | 60cm

X1

18" SQUARE TOP 18" | 46cm

X2

15" | 38cm SEGMENTS

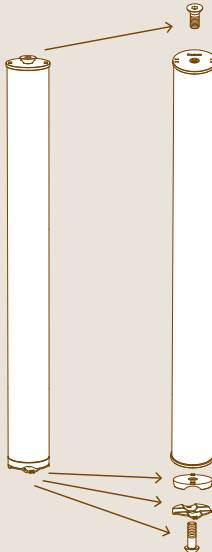
X1

26" | 67cm SEGMENT

X1

BOTTOM CROSS BASE

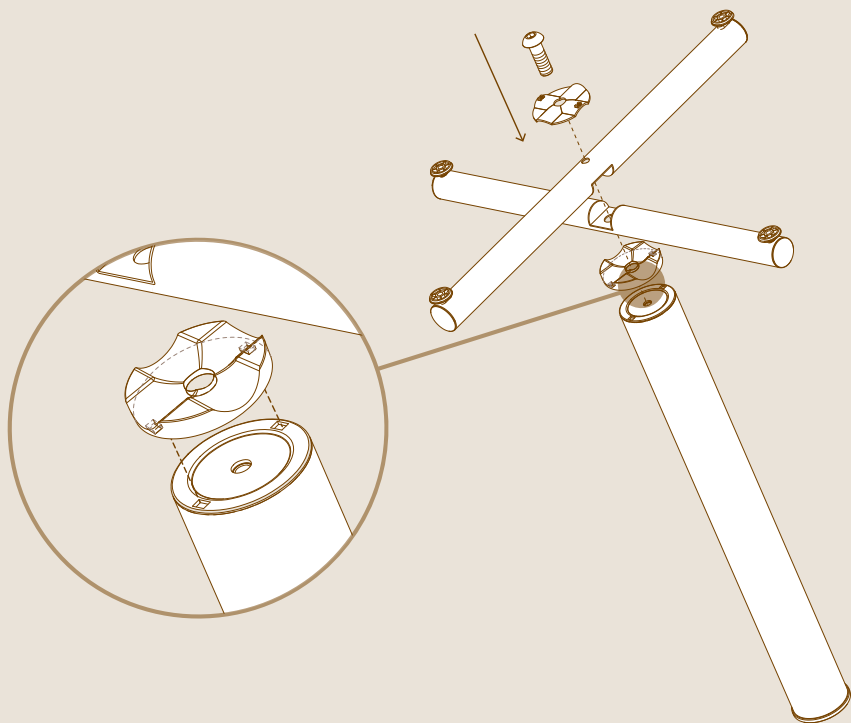
X1

TOP CROSS BASE

ASSEMBLY

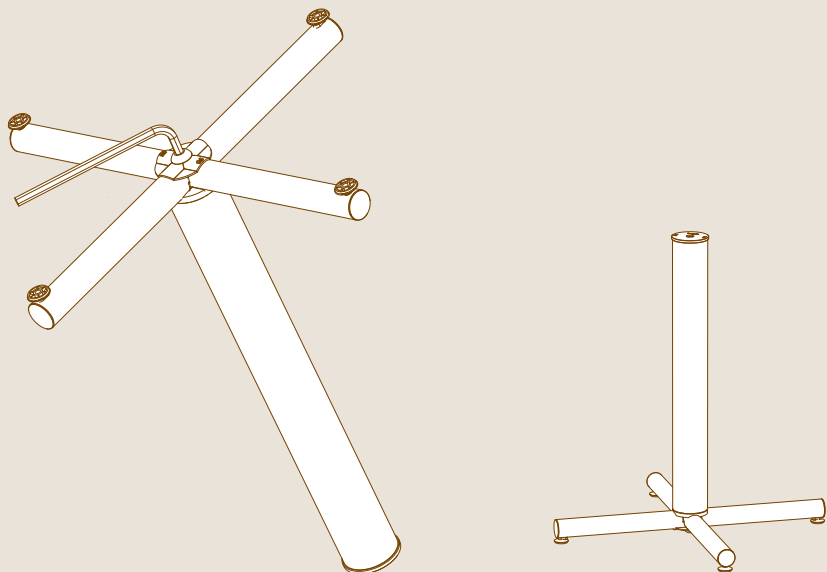
1 Unscrew the top and bottom screws to disassemble 26" segment into parts.



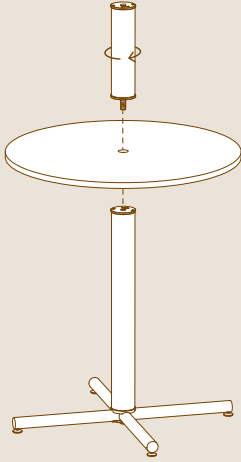
2 Make sure the pins are inserted into the main pole holes.



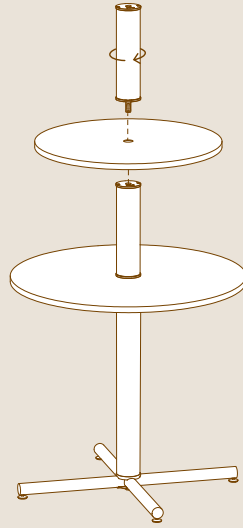
3



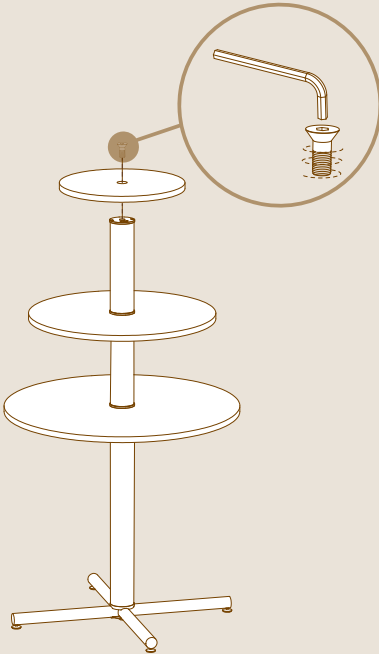
4



5

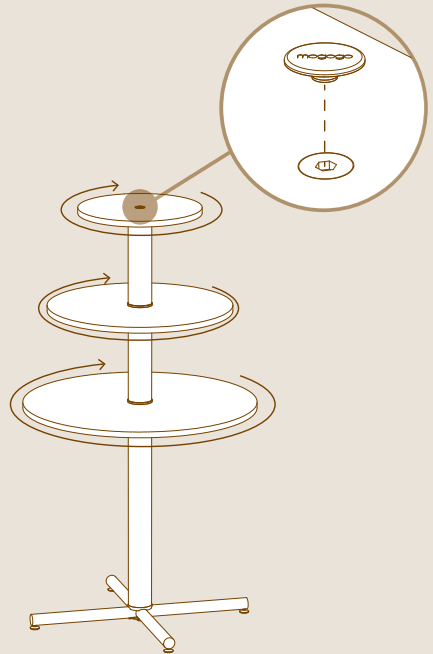


6



7

Tighten the tabletop by turning the plate clockwise by hand.



JOB WELL DONE, WAY TO GO!