

Modular

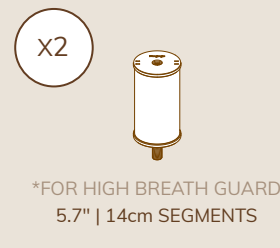
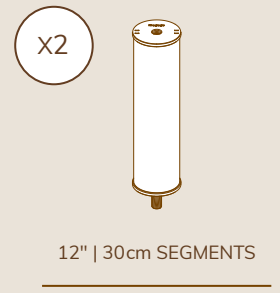
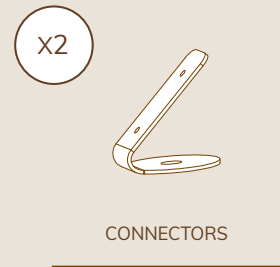
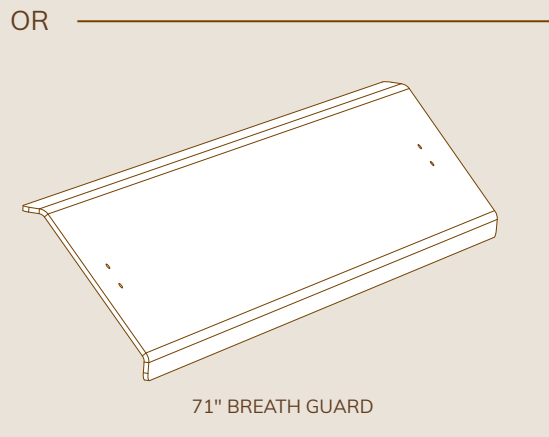
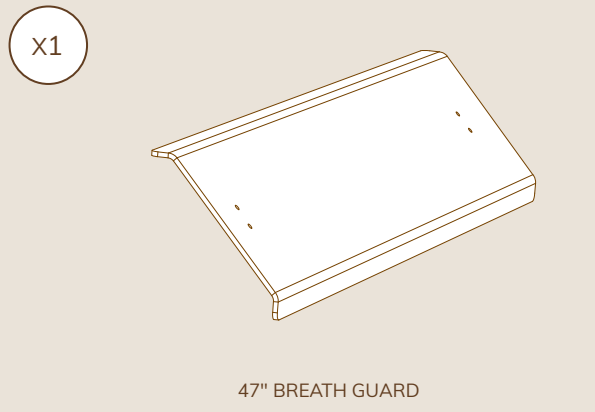
SYSTEM

BREATH GUARD

ASSEMBLY INSTRUCTIONS

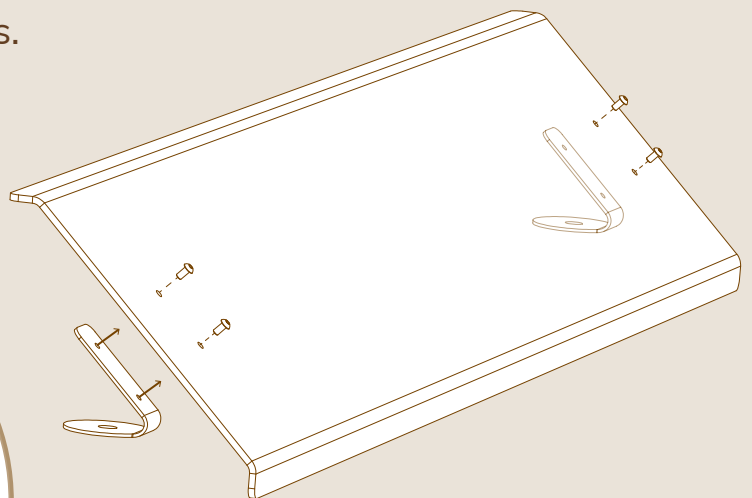
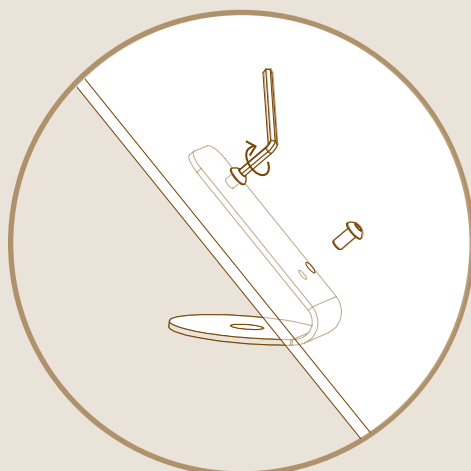


PARTS

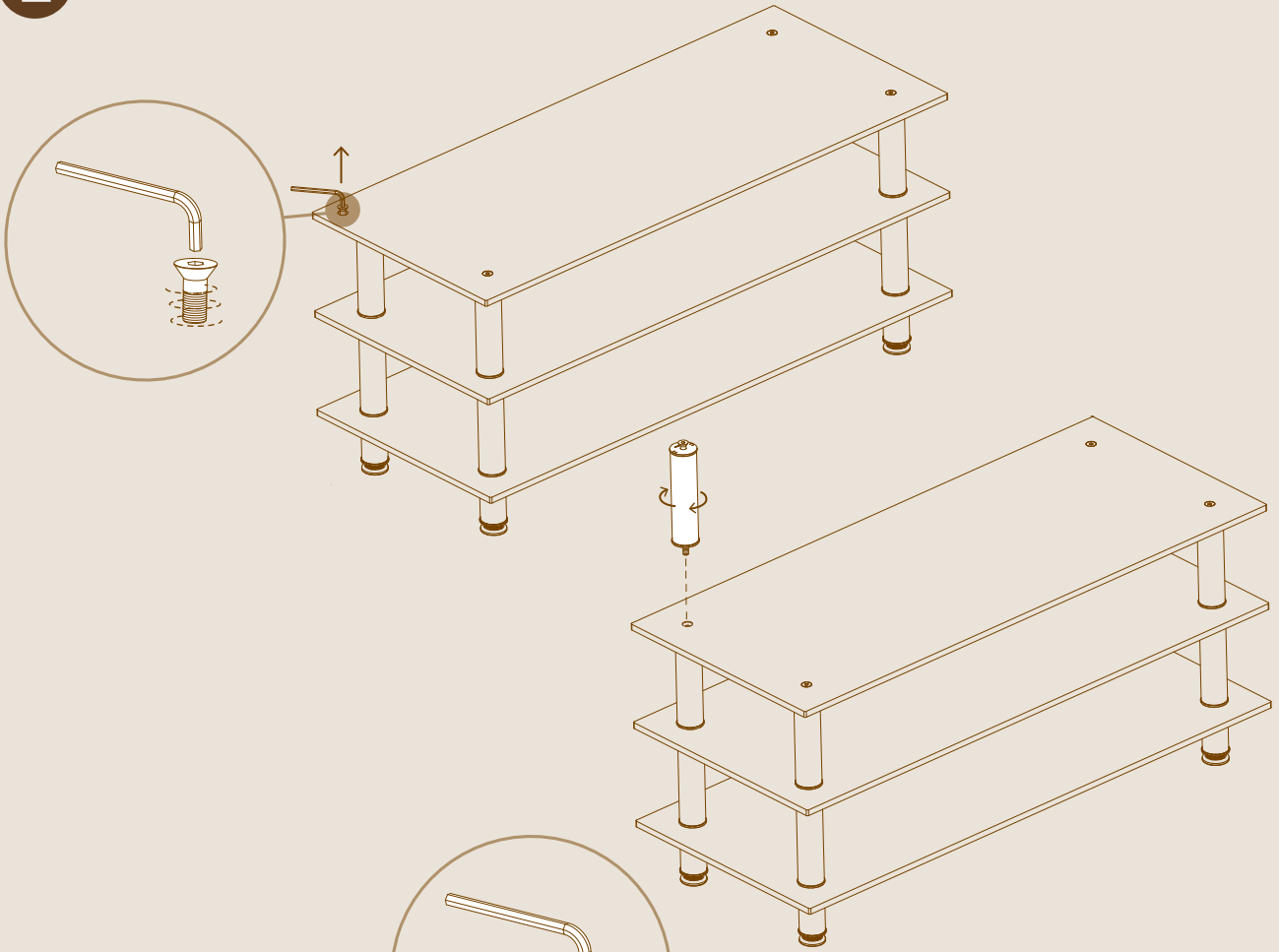


ASSEMBLY

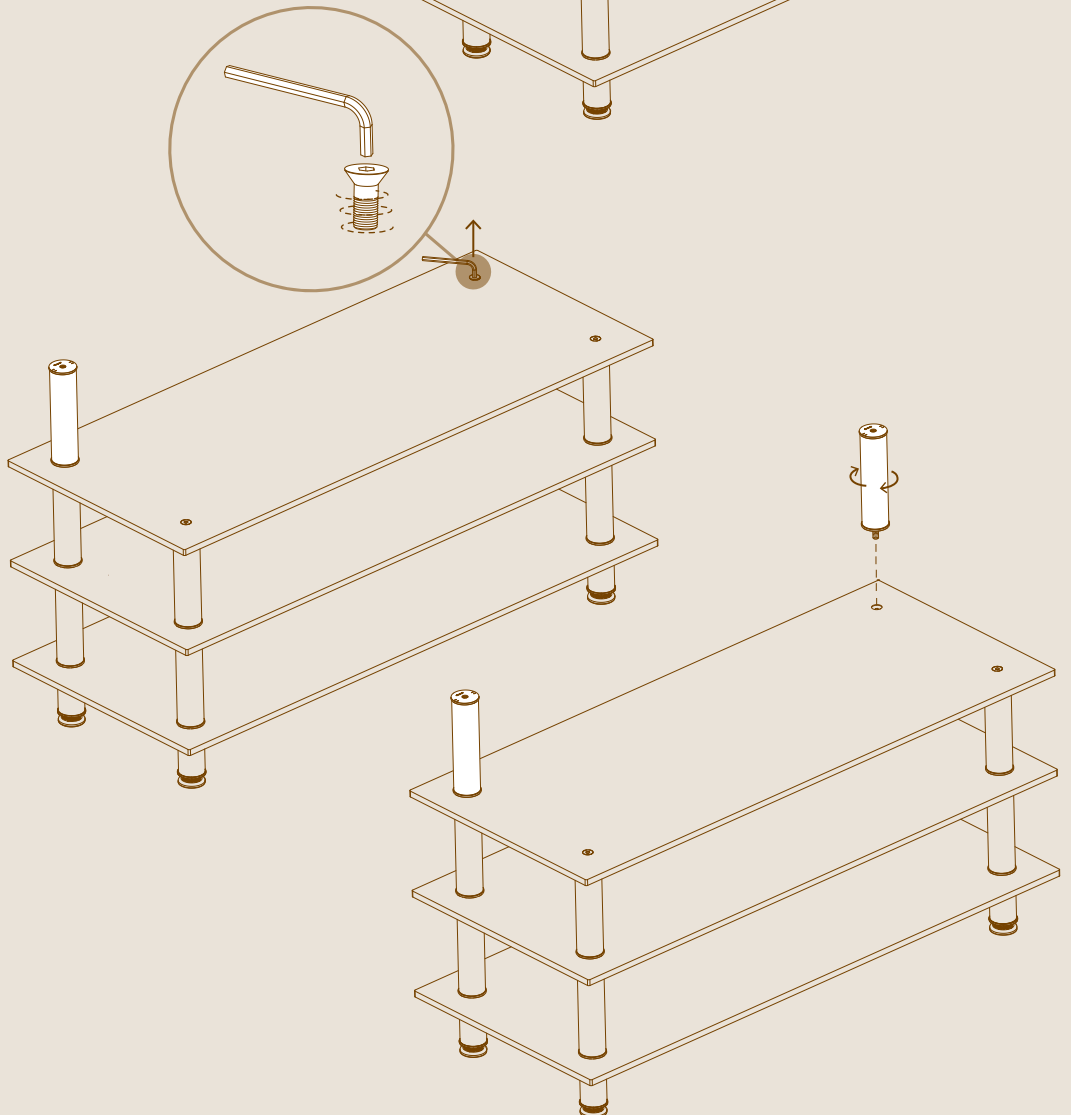
- 1 Use round cap M6 Allen screws.
Do not over tighten the screws.



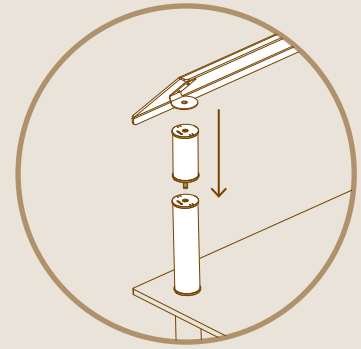
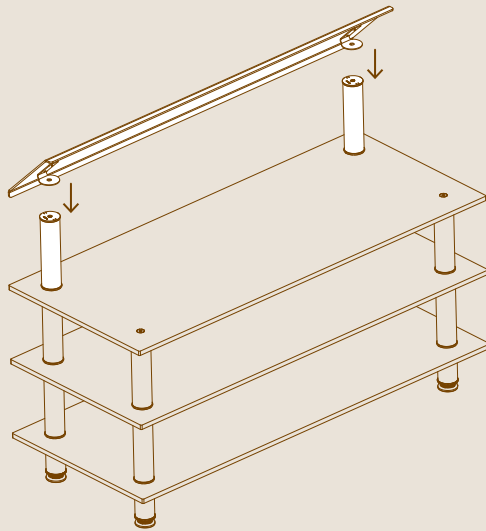
2



3

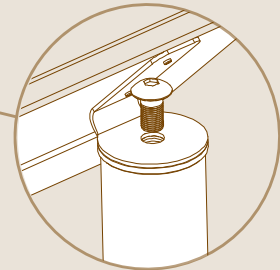
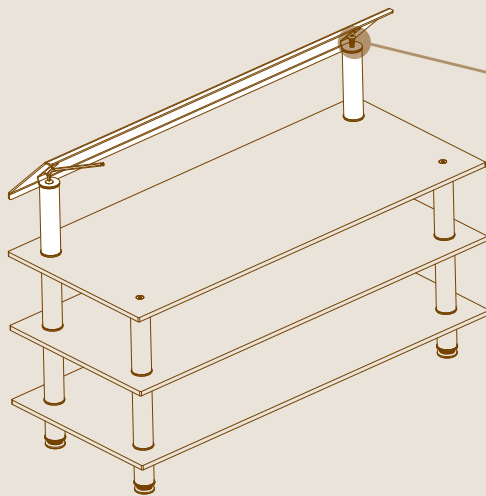


4



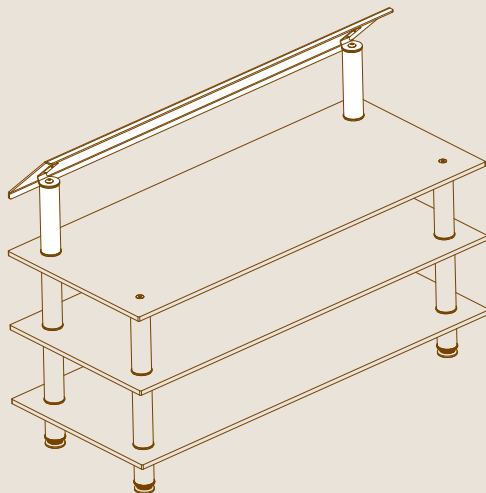
For high breath guard
add 5.7" segments.

5



Use the round cap M16 Allen
screws supplied, to attach the
connectors to the segments.

6



GREAT JOB, YOUR GOOD TO GO!

ATTENTION!



Clean breath guards with warm water and mild soap and rinse thoroughly with water. Dry with soft cloth to prevent water spots. You can also clean and polish with cleaners made specifically for acrylic, like Novus #1 or Brilliantize.



Dry with a soft sponge to prevent water spots.

- ✗ Never use abrasive or highly alkaline cleansers.
- ✗ Never scrape with razor blades or other sharp instruments.
- ✗ Never use benzene, acetone, or carbon tetrachloride.
- ✗ Never use cleaners such as Windex or 409.