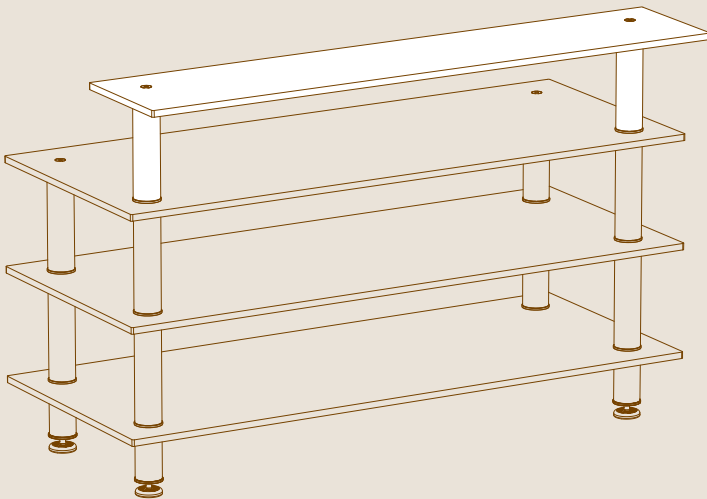


Modular

SYSTEM

BAR SHELF

ASSEMBLY INSTRUCTIONS



PARTS

X1



ALLEN KEY FOR M16

X2



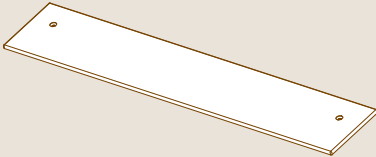
M16 ALLEN SCREWS

X2



SCREW CAPS

X1



LARGE BAR SHELF L71" W14.5" | L180cm W37cm

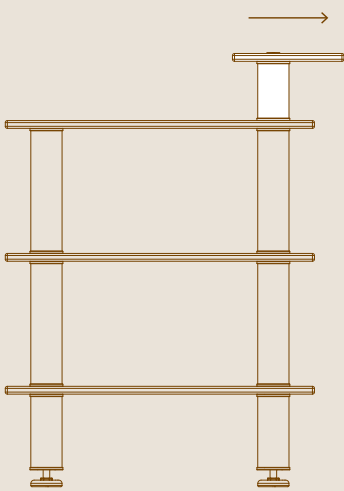
X2



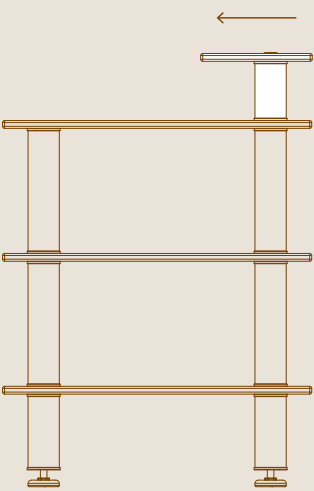
5.7" | 14cm SEGMENTS
OR



12" | 30cm SEGMENTS

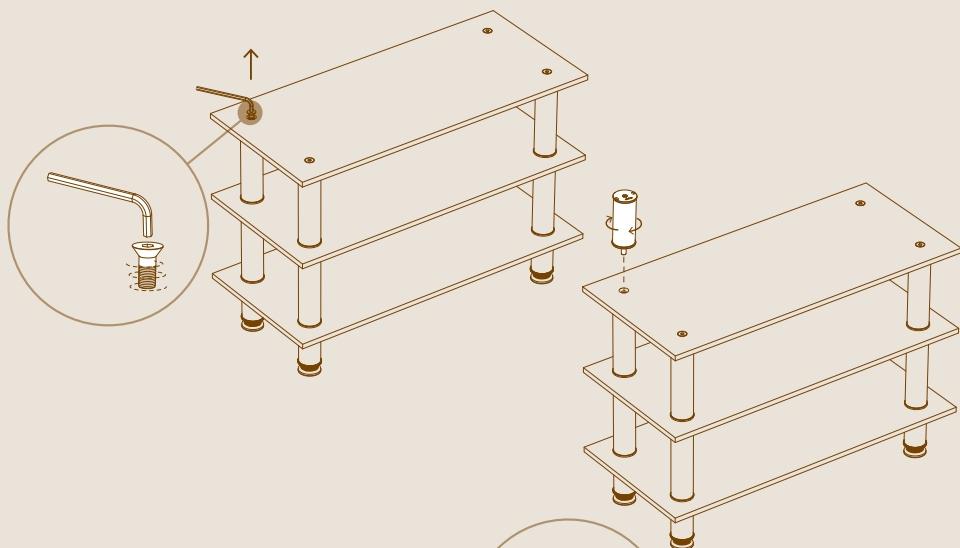


OR

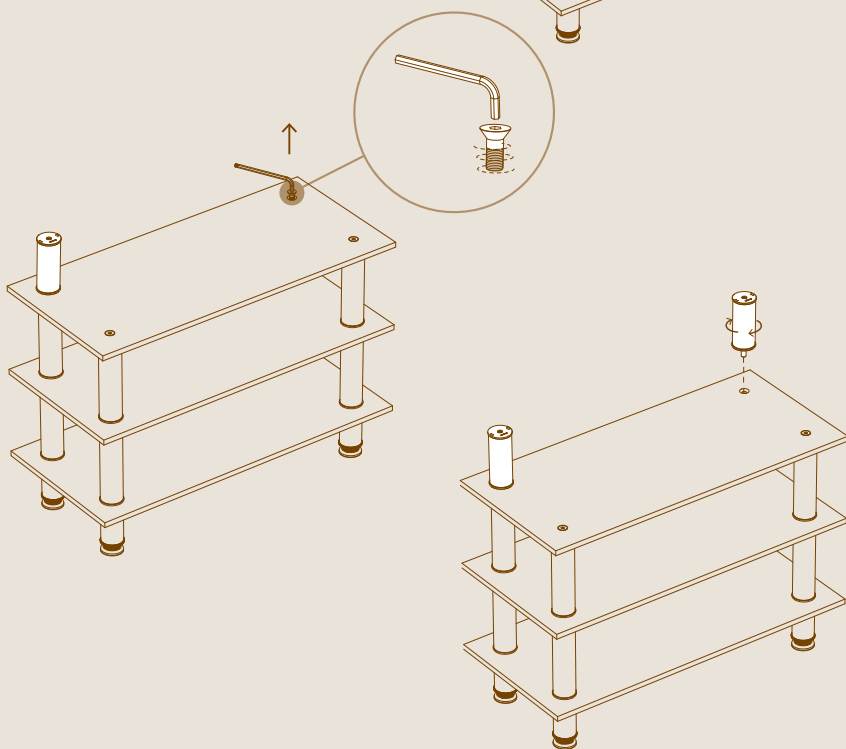


ASSEMBLY

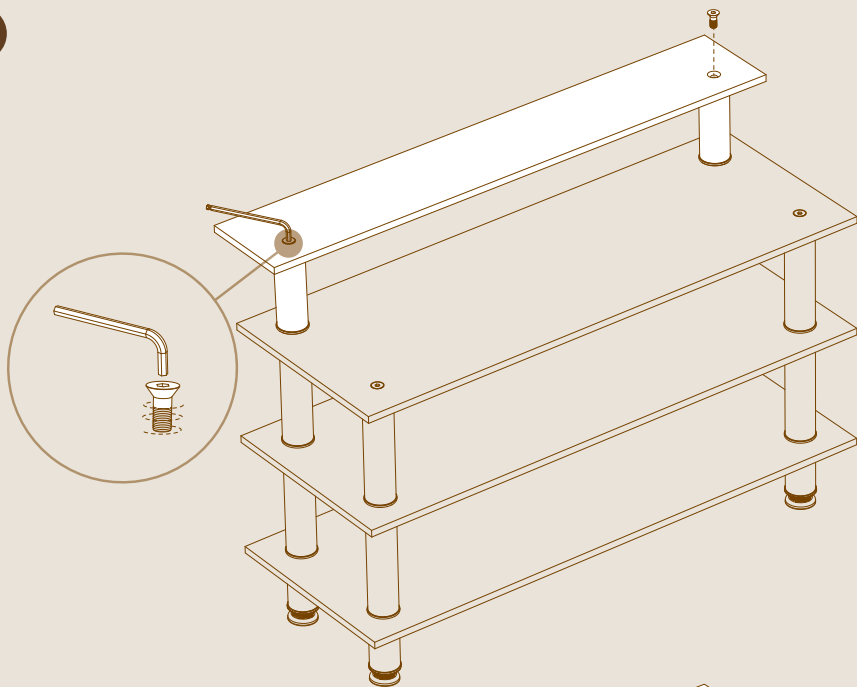
1



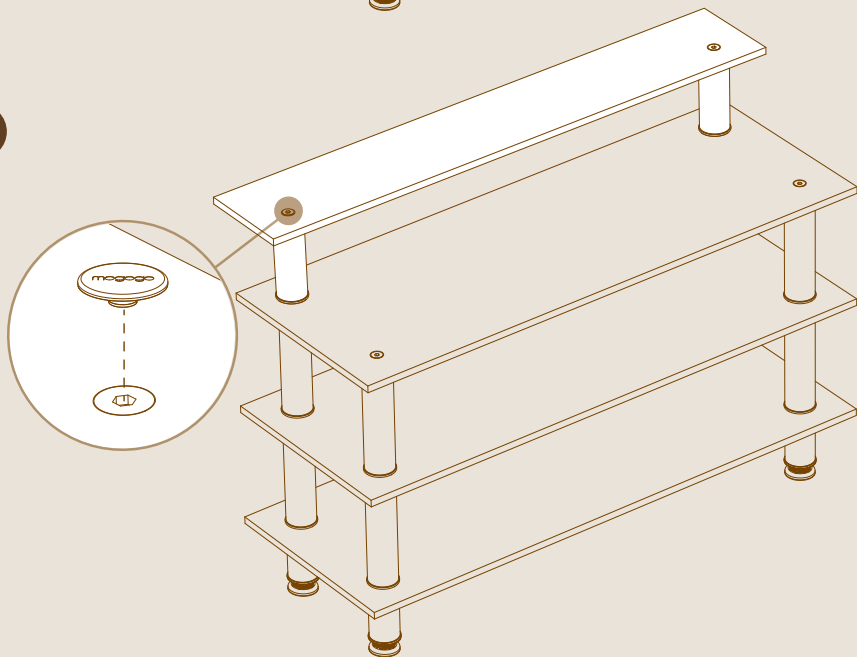
2



3



4



YOU DID IT, WAY TO GO!