

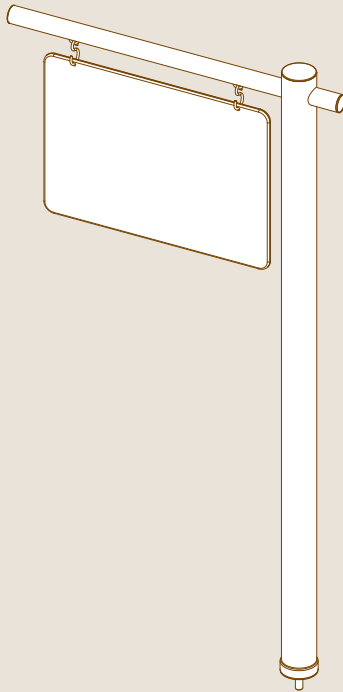
# Modular

SYSTEM

---

## SIGN POST

ASSEMBLY INSTRUCTIONS



# PARTS

X1



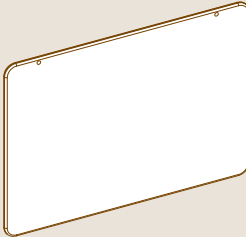
ALLEN KEY FOR M16

X2



METAL HOOKS

X1



SIGN POST BOARD

X1



ADAPTOR

X1



SIGN POST HORIZONTAL POLE

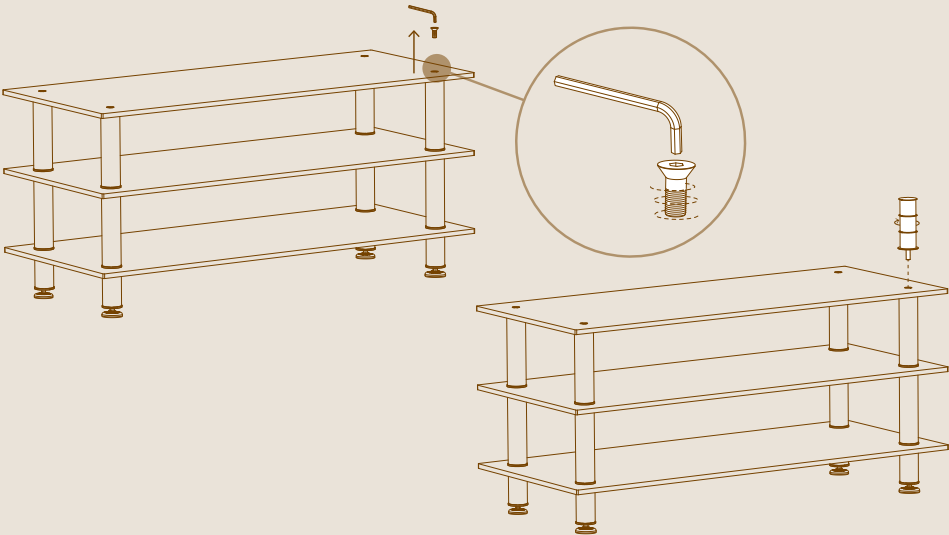
X1



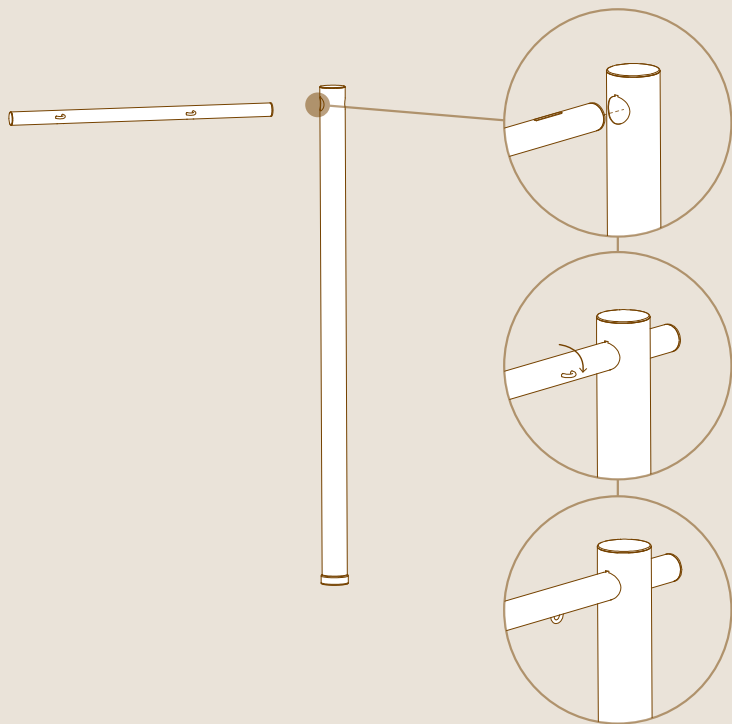
SIGN POST VERTICAL POLE L59" | L150cm

# ASSEMBLY

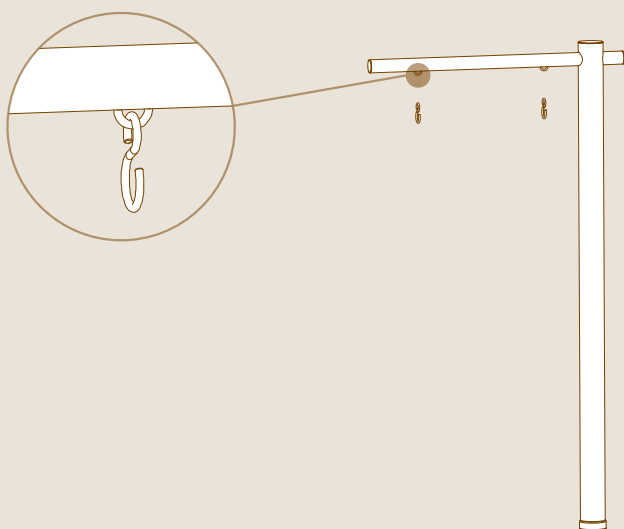
**1** Choose a desirable location for the signpost, unscrew the Allen screw and attach the adaptor instead.



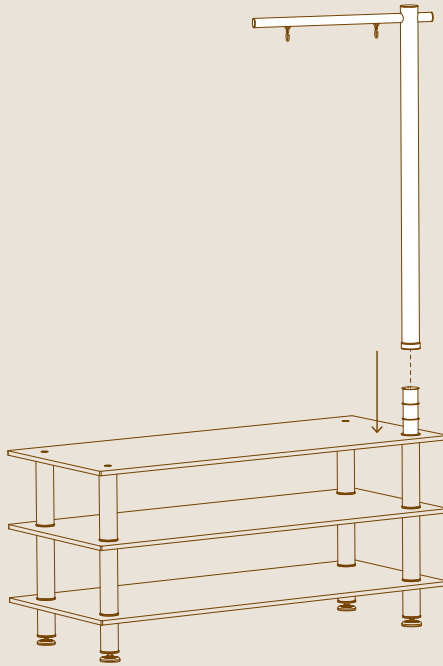
2



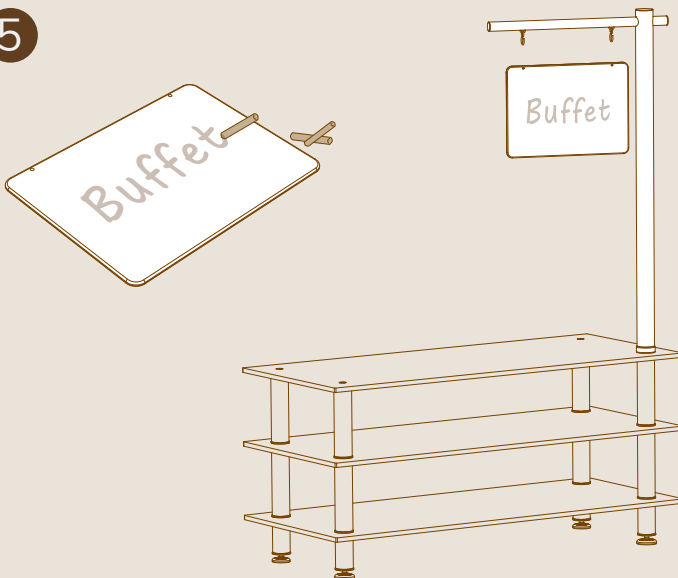
3



4



5



**YOU DID IT, WAY TO GO!**